



permedica
ORTHOPAEDICS

ARTICULAR HEADS

Ceramic / Metal



**PRODUCT
INFORMATION**

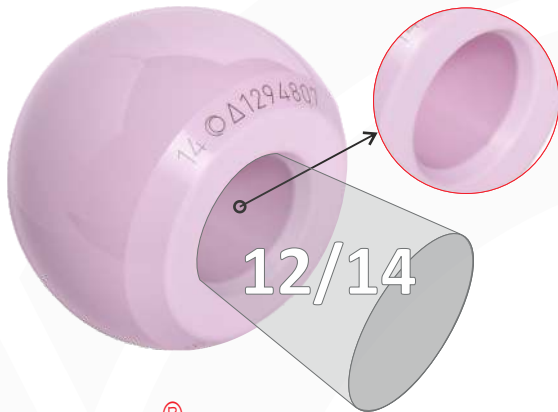


0426

Product Information

BIOLOX[®] delta

Ceramic Ball Heads



4 diameters

28-32-36-40mm

Taper 12/14 (top angle 5°42'30")

BIOLOX[®] delta* articular heads ensure very low wear levels thanks to high corrosion resistance, material biocompatibility, degree of hardness, dimensional stability of the components and to excellent wetting and low roughness of surfaces.

* BIOLOX[®] is a registered trademark of Ceramtec AG

BIOLOX[®] OPTION

Revision Ceramic Ball Heads



4 diameters

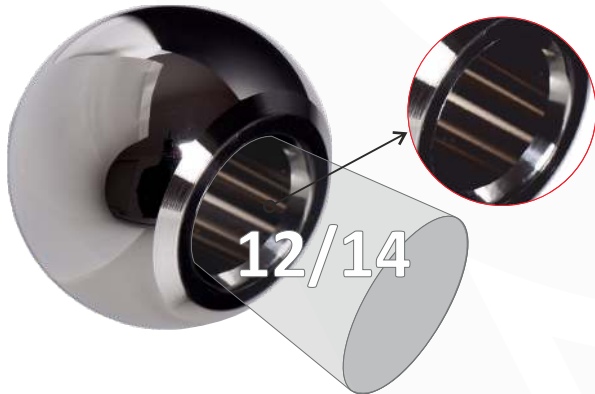
28-32-36-40mm

Sleeve Taper 12/14 (top angle 5°42'30")

BIOLOX[®] OPTION sleeved ceramic heads are conceived for revision cases when retaining a well-fixed femoral stem with minor damages on the taper surface. The adapter sleeve allows to create a pristine taper interface for the ceramic head before its placement on a stem which remains in situ.

PM734 / CrCo

Metal Ball Heads



4 diameters

22-28-32-36mm

Taper 12/14 (top angle 5°42'30")

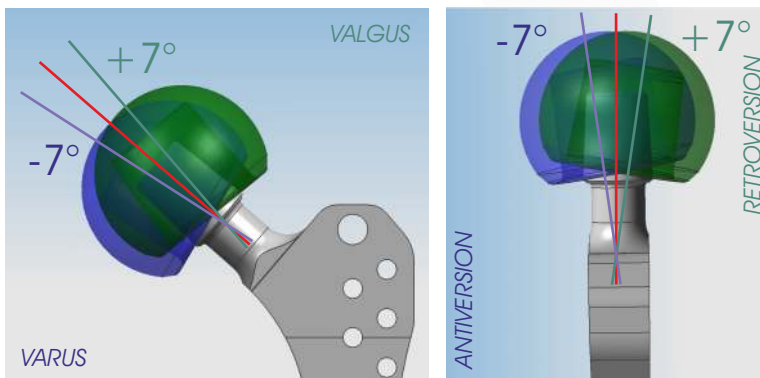
METAL articular heads are made of special Pm734 highly nitrogenized stainless steel forged alloy or CrCoMo forged alloy.

Each single head is severely controlled to ensure perfect and safe coupling onto the stem taper.

Grinding process guarantees perfect sphericity and low roughness values.

ECCENTRIC

Metal Ball Heads



2 diameters

28-32mm

Taper 12/14 (top angle 5°42'30")

ECCENTRIC articular heads are made of special PM734 highly nitrogenized stainless steel forged alloy.

The taper axis is 7° angled to allow correction of varus, valgus, antiversion and retroversion by rotating the articular head on the stem taper.

BIOLOX® delta ceramic Ball-Heads



	Ø 28mm		Ø 32mm		Ø 36mm		Ø 40mm	
Size	Neck Length	Reference	Neck Length	Reference	Neck Length	Reference	Neck Length	Reference
Short	- 3,5mm	20587	- 4,0mm	20537	- 3,5mm	20567	- 4,0mm	20547
Medium	0mm	20588	0mm	20538	0mm	20568	0mm	20548
Long	+3,5mm	20589	+4,0mm	20539	+3,5mm	20569	+4,0mm	20549
XL			+8,0mm	20540	+7,0mm	20570	+8,0mm	20550

Standard Metal Ball-Heads



	CrCo Ø 22mm		CrCo Ø 28mm		CrCo Ø 32mm		CrCo Ø 36mm	
Size	Neck Length	Reference	Neck Length	Reference	Neck Length	Reference	Neck Length	Reference
Short	- 2,0mm	20321	- 3,5mm	20381	- 4,0mm	20331	- 3,5mm	20391
Medium	0mm	20322	0mm	20382	0mm	20332	0mm	20392
Long	+2,0mm	20323	+3,5mm	20383	+4,0mm	20333	+3,5mm	20393
XL			+7,0mm	20384	+8,0mm	20334	+7,0mm	20394

	PM734 Ø 22mm		PM734 Ø 28mm		PM734 Ø 32mm		PM734 Ø 36mm		PM1 Ø 28mm	
Size	Neck Length	Reference	Neck Length	Reference	Neck Length	Reference	Neck Length	Reference	Neck Length	Reference
Short	- 2,0mm	20221	- 3,5mm	20281	- 4,0mm	20231	- 3,5mm	20291	- 3,5mm	20181
Medium	0mm	20222	0mm	20282	0mm	20232	0mm	20292	0mm	20182
Long	+2,0mm	20223	+3,5mm	20283	+4,0mm	20233	+3,5mm	20293	+3,5mm	20183
XL			+7,0mm	20284	+8,0mm	20234	+7,0mm	20294		
XXL			+10,5mm	20285*	+12mm	20235*	+10,5mm	20295*		
XXXL			+14,0mm	20286*	+16,0mm	20236*				

BIOLOX® OPTION ceramic Ball-Heads



Size	Head Reference	Adapter Sleeve Neck Length	Adapter Sleeve Reference
28mm	20521	Short - 3,0mm	20525
32mm	20522	Medium 0mm	20526
36mm	20523	Long +4,0mm	20527
40mm	20524	XL +7,0mm	20528

ECCENTRIC Metal Ball-Heads



	PM734 Ø 28mm		PM734 Ø 32mm	
Size	Neck Length	Reference	Neck Length	Reference
Short	- 3,5mm	22281*	- 4,0mm	22531*
Medium	0mm	22282*	0mm	22532*
Long	+3,5mm	22283*	+4,0mm	22533*
XL	+7,0mm	22284*	+8,0mm	22534*
XXL	+10,5mm	22285*	+12mm	22535*
XXXL	+14,0mm	22286*	+16,0mm	22536*

Information

INTENDED PURPOSE: Ceramic and Metal BALL HEADS are intended for use in Total or partial Hip Replacement procedures in combination with a femoral stem providing 12/14 morse-taper, coupled with a bi-articular head or an acetabular cup and related UHMWPE insert.

MATERIALS:

BIOLOX® delta: Mix of Alluminium, Zirconia and other oxydes (Al₂O₃ + ZrO₂)- ISO6474/2.

PM734: highly nitrogenized Stainless Steel forged alloy- ISO5832/9.

PM1: Stainless Steel alloy - ISO5832/1.

CrCo: Cobalt Chromium Molibdenum forged alloy - ISO5832/12.

STERILIZATION:

Method: Irradiation (Beta or Gamma rays - minimum dose 25 kGy) or vaporized Hydrogen Peroxide (VH2O2).

Validity: 5 years (Beta) - 10 years (Gamma-VH2O2).

CLASSIFICATION: Class III as reported in Directive 2005/50/CE (and related D.lgs 26 april 2007 n.65) concerning re-classification of Hip, Knee and Shoulder joint prostheses which modifies classification criteria of Annex IX of Directive 93/42/CEE and next integrations and amendments.



permedica
ORTHOPAEDICS

*CHALLENGING EXCELLENCE
IN TECHNOLOGY*

www.permedica.it